

Pumps

Quietline SQI / PM Series

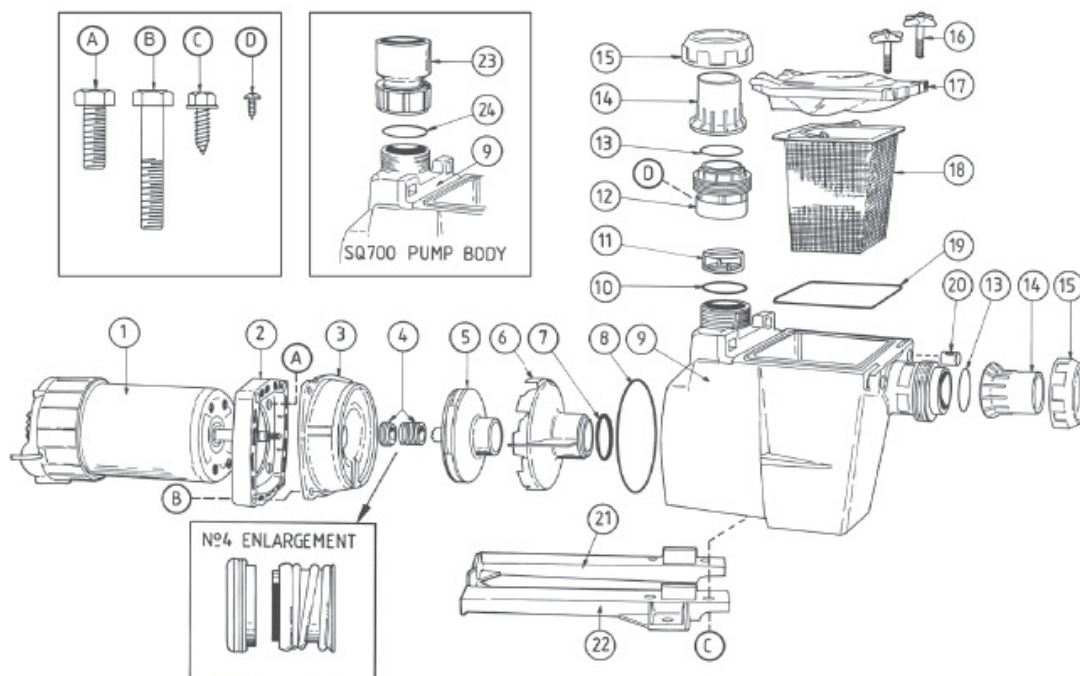
Code	Part	Product Description
22052	1	750w CMG Motor only - SQI-400
22054	1	940w CMG Motor only - SQI-500
22056	1	1100w CMG Motor only - SQI-600
22058	1	1500w CMG Motor only - SQI-700
22028	1	750w CMG Motor only - PM-40
22030	1	940w CMG Motor only - PM-50
22032	1	1100w CMG Motor only - PM-60
22034	1	1500w CMG Motor only - PM-70
22070	1	1100w CMG Motor only - SQI-600 - 3 Phase
22072	1	1500w CMG Motor only - SQI-700 - 3 Phase
20584	2	Mounting Plate
20582	3	Seal Plate
22230	4	Mechanical Seal
20707	5	Impellor - SQI-400
20721	5	Impellor - SQI-500
20709	5	Impellor - SQI-600
20597	5	Impellor - SQI-700
9071	5	Impellor - PM-40 - Orange - Old Style
9081	5	Impellor - PM-50 - Red - Old Style
9091	5	Impellor - PM-60 - Yellow - Old Style
20590	5	Impellor - PM-70 - White
20592	5	Impellor - PM-40 - Orange - New Style
20594	5	Impellor - PM-50 - Red - New Style
20596	5	Impellor - PM-60 - Yellow - New Style
20578	6	Diffuser
22232	7	Diffuser Gasket
22234	8	Housing Gasket
20576	9	PM Pump Body - 40mm Discharge
20598	9	PM Pump Body - 50mm Discharge
1316	9	SQI Pump Body Assembly - as shown in diagram
22141	10	O-Ring
20784	12	Threaded Coupling - Outlet Fitting
22146	13	Swivel Coupling O-Ring
20689	14	Swivel Coupling
20693	15	Swivel Backnut
1333	13 / 14 / 15	Swivel Coupling Complete (2 of each)
20570	16	Hand Knob
20572	17	Pump Lid
20574	18	Pump Basket
22236	19	Pump Lid Gasket
21038	20	Brass Knuckle

Quietline SQI / PM Series

Code	Part	Product Description
20586	21	Mounting Foot L/Hand
20588	22	Mounting Foot R/Hand
22138	24	Inlet/Outlet O-Ring
21042	A	Bolt - 3/8" x 3/4"
21040	B	Bolt - 3/8" x 2"
21044	C	Screw - Self Tapping (4 Required)
21000	D	Screw - S/Steel 8G x 3/8"
1305	23	Pump Take Off - 40mm
1306	23	Pump Take Off - 40mm x 90 deg.
1310	23	Pump Take Off - 50mm
1330	23	Pump Take Off - 50mm x 40mm
1337	23	Pump Take Off - 50mm Enduro

EXTENDED DIAGRAM

Quietline SQI Pump



POOLRITE SQI SERIES PUMPS

Parts
Org. Nº 20