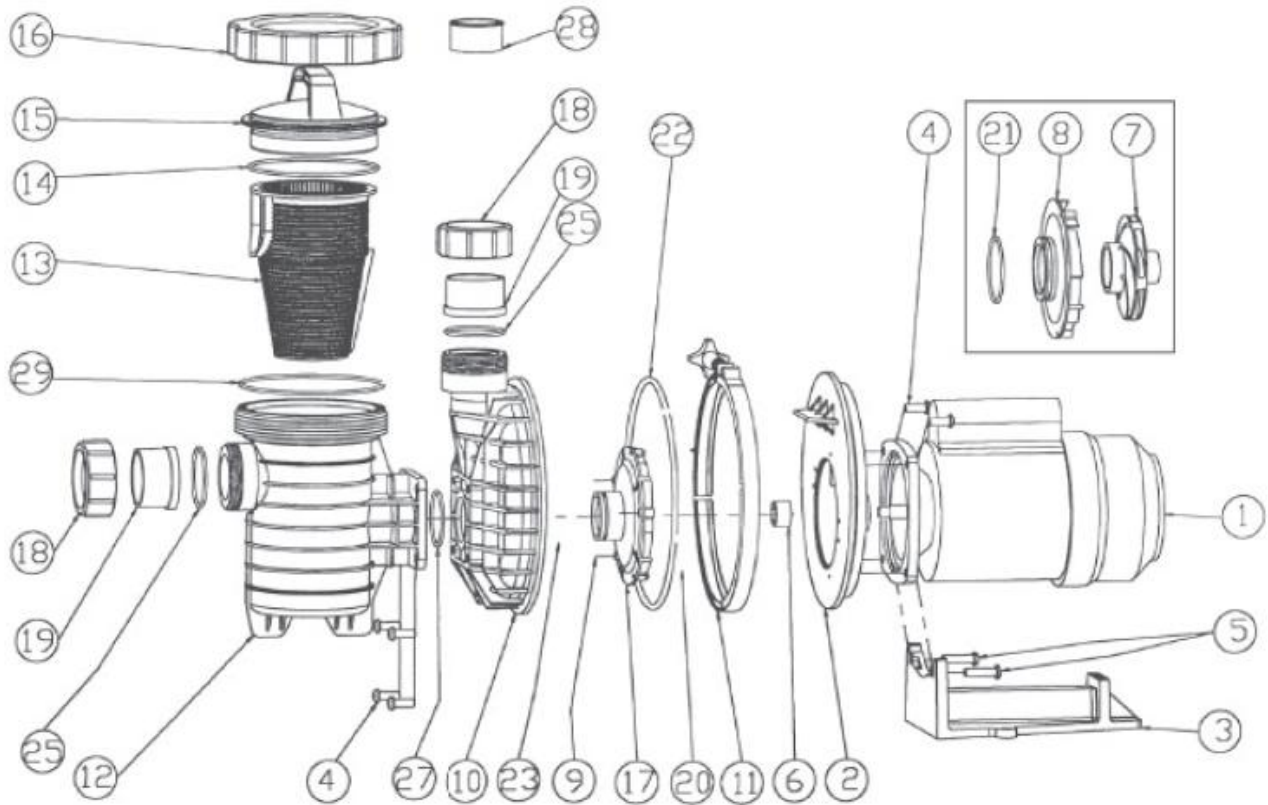




Dominator Pump Parts Breakdown



www.wholesalepu.com



Code	Part	Product Description
27010	1	Motor 1hp Dominator
27125	1	Motor 1.25hp Dominator
27015	1	Motor 1.5hp Dominator
92280	2	Dominator Seal Plate
90150	3	Dominator Base for Motor BL
21051	4	Screw Cap 3/8"x1" Button
21052	5	Screw Cap 3/8"x1/2" Button
22231	6	Seal - Mechanical 5/8" Type
92500	7	Impellor High Head - 1.0hp
92505	7	Impellor Medium Head - 1.0hp
92550	7	Impellor High Head - 1.25hp
92555	7	Impellor Medium Head - 1.25hp
92600	7	Impellor High Head - 1.5hp
92605	7	Impellor Medium Head - 1.5hp
90020	8	Dominator Medium Head Diffuser
21047	9	Bolt Brass RND Slot 5/32 x 1
90003	10	Dominator Casing
92019	11	Clamp - SS WD Series # 2019
90552	12	Dominator Trap Black
90010	13	Dominator Strainer Basket
90190	14	O-Ring Dominator Lid Small
90300	15	Dominator Lid Clear
90050	16	Dominator Locking Ring For Lid
90002	17	Dominator Diffuser High Head
91150	18	Dominator Coupling Backnut
91200	19	Dominator Coupling Body
22130	21	O-Ring - BS 232
90180	22	O-Ring - 255mm Dominator Casing
22138	23	O-Ring - 50mm C326
92000	25	O-Ring Dominator 65mm - BS23
22141	27	O-Ring BS229
20428	28	Bush Reducing 50x40 - White
90191	29	O-Ring Dominator Lid - Large

www.v...